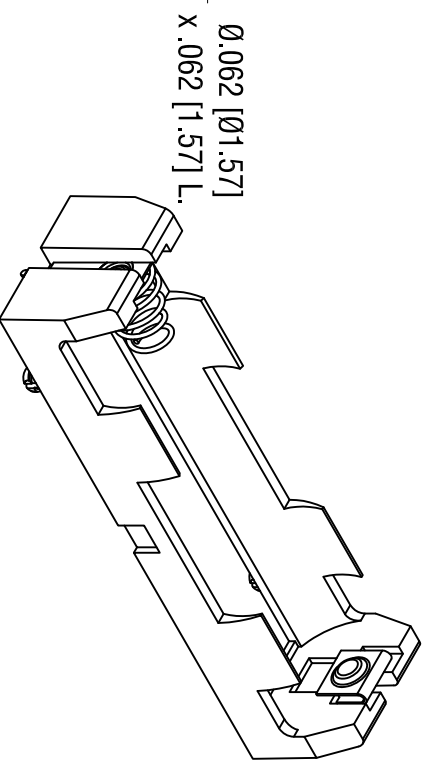
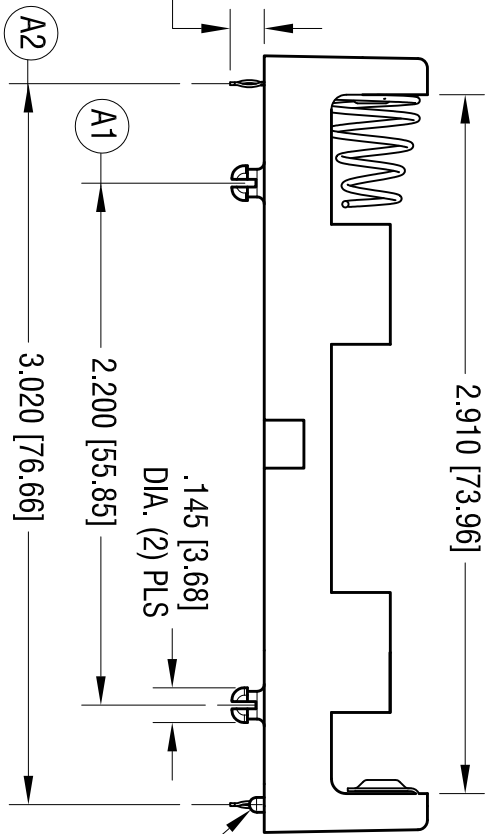
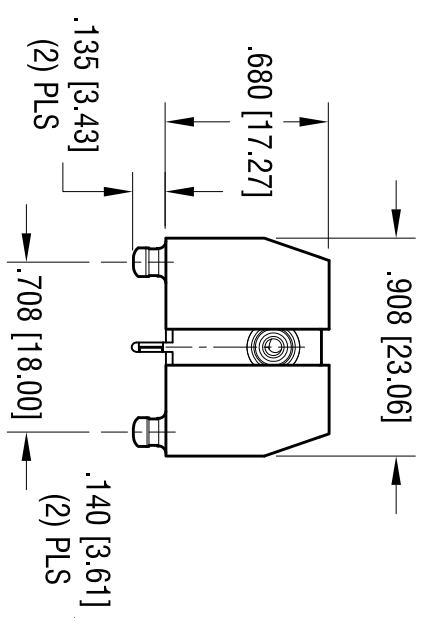
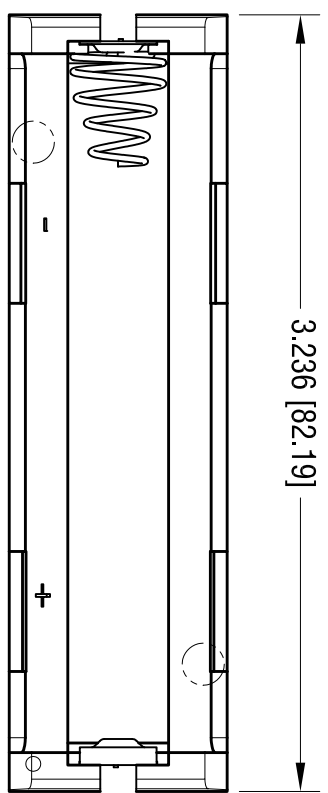
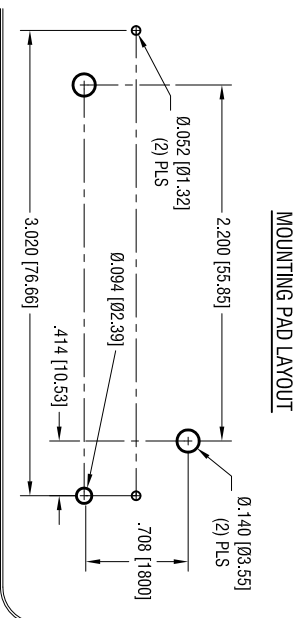


Mounting Pad Layout



DATE	DESCRIPTION	REV.
4.13.20	CHANGE AS PER ECN 20-040	A
	(A1) WAS 2.175 [55.20]	
	(A2) WAS 3.004 [76.30]	

- NOTE:
- BASE:  
MATERIAL: HEAT RESISTANT NYLON  
STANYL 46 OR EQUIVALENT
  - CONTACT:  
MATERIAL: .012 [0.30] THK STAINLESS STEEL  
FINISH: NICKEL PLATE

- SPRING:  
MATERIAL: .027 [0.68] DIA. MUSIC WIRE  
FINISH: NICKEL PLATE
- SPRING EYELETED TO BASE
- SUPPLIED ON TRAY (50 PCS PER TRAY)

THIS DOCUMENT IS THE PROPERTY OF KEYSTONE ELECTRONICS CORP. AND SHALL NOT BE REPRODUCED, DISTRIBUTED OR USED AS A BASIS FOR MANUFACTURE WITHOUT PRIOR WRITTEN PERMISSION FROM KEYSTONE ELECTRONICS CORP.

<b>KEYSTONE ELECTRONICS CORP.</b>			
www.keystec.com • NEW HYDE PARK, NY 11040 • Tel (516) 328-7500			
PART NAME <b>THM BATTERY HOLDER FOR 20700 &amp; 21700</b>			
MATERIAL <b>AS NOTED</b>			
FINISH	AS NOTED		
TOLERANCES	INCH	[MM]	CODE
DECIMAL	± .010	[± .025]	C
ANGULAR	± 1°		
DRAWN BY NT		DATE 9.07.18	DWG NO. <b>1121</b>
APP'D RH		SCALE 1.25X	